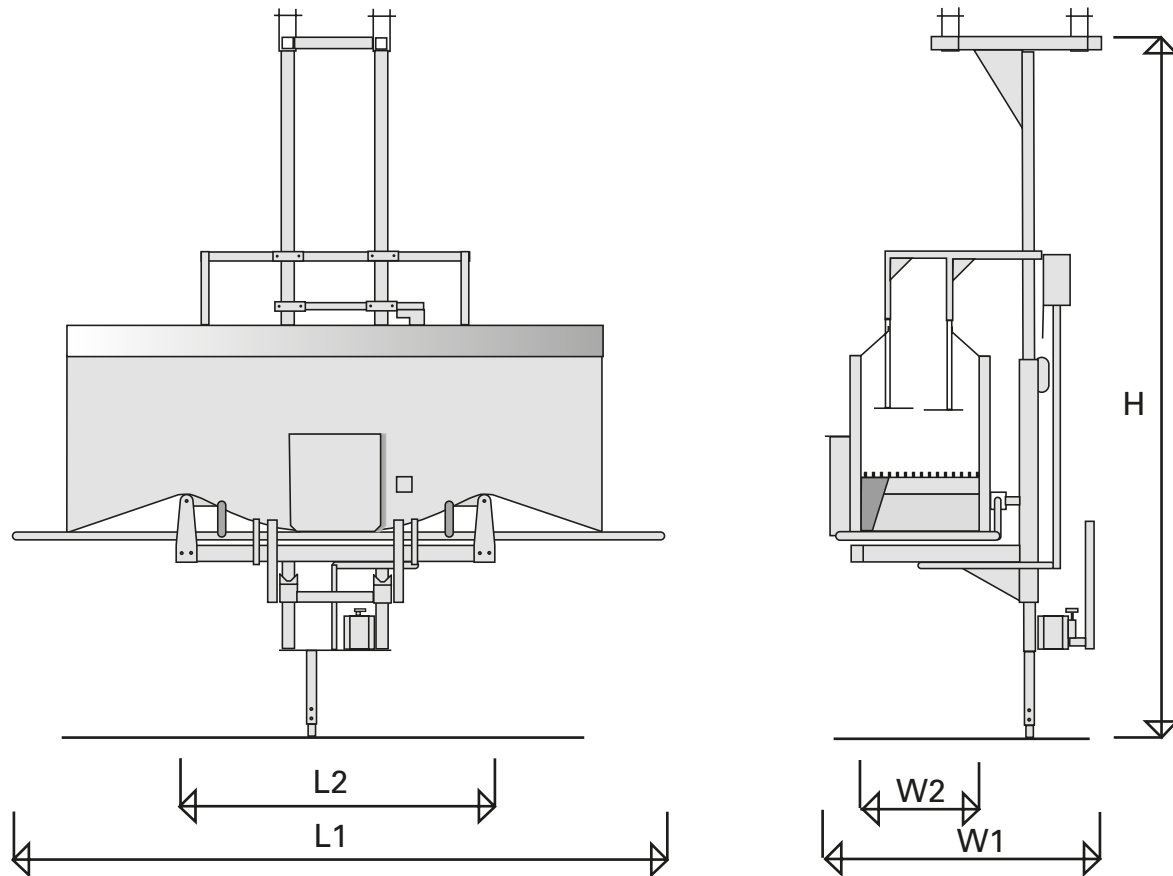


Meyn stunner for turkeys



Product live weight range	kg	3-30	3-30	3-30	3-30
Capacity	BPH	2,300	2,900	2,900	3,600
Shackle pitch	inch	15"	15"	12"	12"
Length (L1)	mm	2,800	3,300	2,800	3,300
Water bath length (L2)	mm	1,000	1,500	1,000	1,500
Width (W1)	mm	1,200	1,200	1,200	1,200
Water bath width (W2)	mm	600	600	600	600
Height (H)	mm	3,075	3,075	3,075	3,075
Weight	kg	350	400	350	400
Electric power installed	kW	0.4	0.4	0.4	0.4
Water connection	BSP	1/2"	1/2"	1/2"	1/2"
Water consumption	m ³ /h	0.2	0.2	0.2	0.2
Drain connection	BSP	1"	1"	1"	1"
Option:	Quest HF control box				

Head office:

Meyn Food Processing Technology B.V.
 Westeinde 6, 1511 MA Oostzaan (Amsterdam)
 P.O. Box 16, 1510 AA Oostzaan
 The Netherlands

T: +31 (0)20 2045 000
 F: +31 (0)20 2045 001
 I: www.meyn.com

MEYN

Poultry Processing Solutions

Meyn stunner for turkeys

- Wide weight range can be processed within one machine setting.
- Easy adjustment.
- Sturdy construction.

