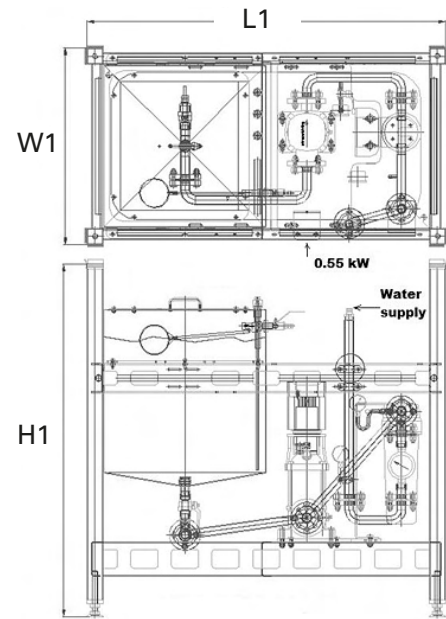
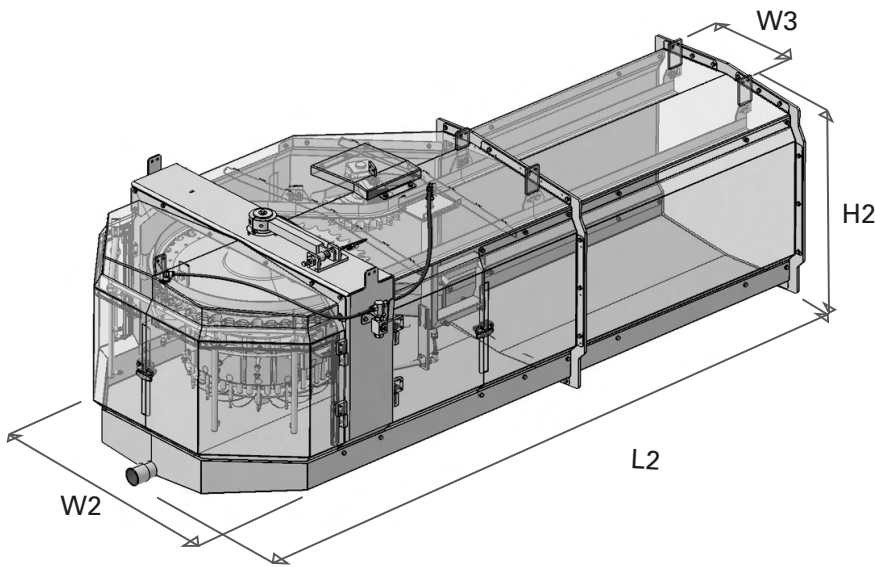


Meyn moistening system 16 units



Model	Pump unit		Spraying unit
		1 per line	up to 3 per line
Number of units			16
Shackle pitch	inch		6
Standard shackle			KH3 or KH4
Length	mm	1,325 (L1)	2,675 (L2)
Width (open/closed)	mm	725 (W1)	2,040/1,170 (W2)
Track width	mm		388 (W3)
Height	mm	1,300 (H1)	880 (H2)
Weight	kg	300	500
Electric power installed	kW	0.55	
Electric connection			torque sensor on unit
Water connection	BSP	1/2"	3/8"
Water consumption whole system	l/bird	< 0.1	

Head office:

Meyn Food Processing Technology B.V.
 Westeinde 6, 1511 MA Oostzaan (Amsterdam)
 P.O. Box 16, 1510 AA Oostzaan
 The Netherlands

T: +31 (0)20 2045 000
 F: +31 (0)20 2045 001
 I: www.meyn.com



Poultry Processing Solutions

Meyn moistening system 16 units

- Optimises air chill tunnel yield by preventing dehydration of product.
- Very low water consumption.

