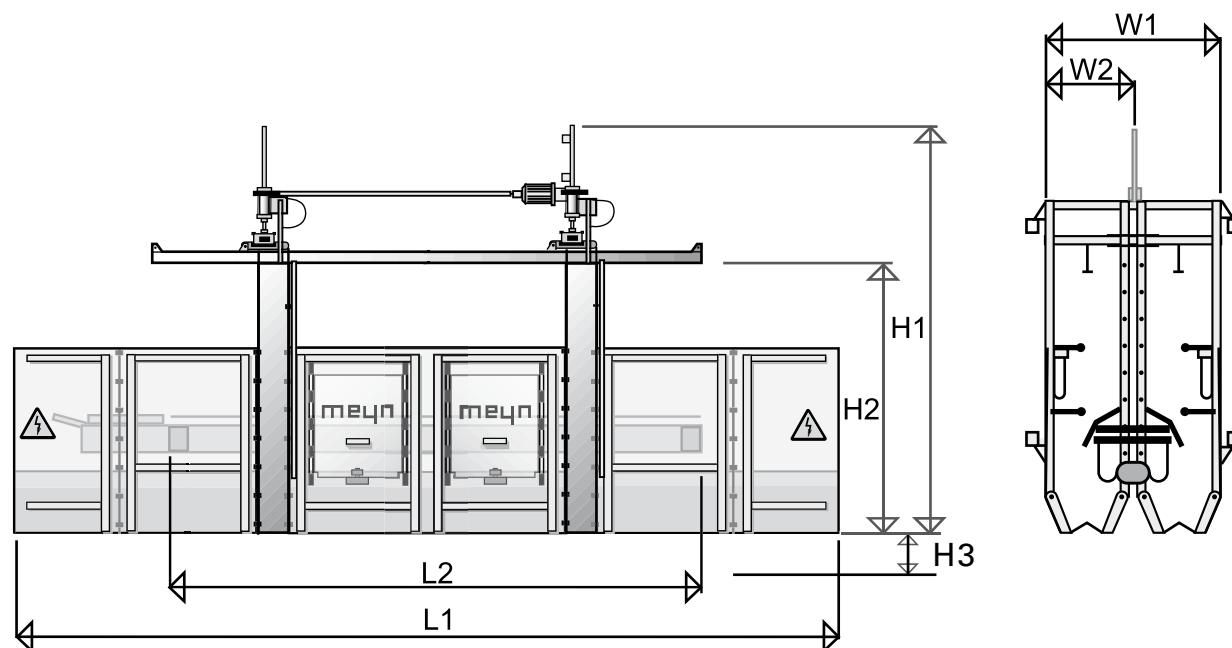


Meyn electrical stimulator



Live weight	kg	1.0-5.0
Length (L1)	mm	4,500
Effective length (L2)	mm	3,000
Width (W1) double lane module	mm	970
Width (W2) single lane module	mm	485
Height (H1)	mm	2,300
Height (H2)	mm	1,500
Distance to bleeding trough (H3)	mm	≥ 200
Weight	kg	600
Electric power installed	kW	1.5

Head office:

Meyn Food Processing Technology B.V.
 Westeinde 6, 1511 MA Oostzaan (Amsterdam)
 P.O. Box 16, 1510 AA Oostzaan
 The Netherlands

T: +31 (0)20 2045 000
F: +31 (0)20 2045 001
I: www.meyn.com

MEYN

Poultry Processing Solutions

Meyn electrical stimulator

- Activation of the biologic mechanism of rigor mortis.
- Low voltage, no damage to bone structure.
- Tender meat within 3 hours post mortem.
- Placed above the bleeding trough, no separate room necessary.

