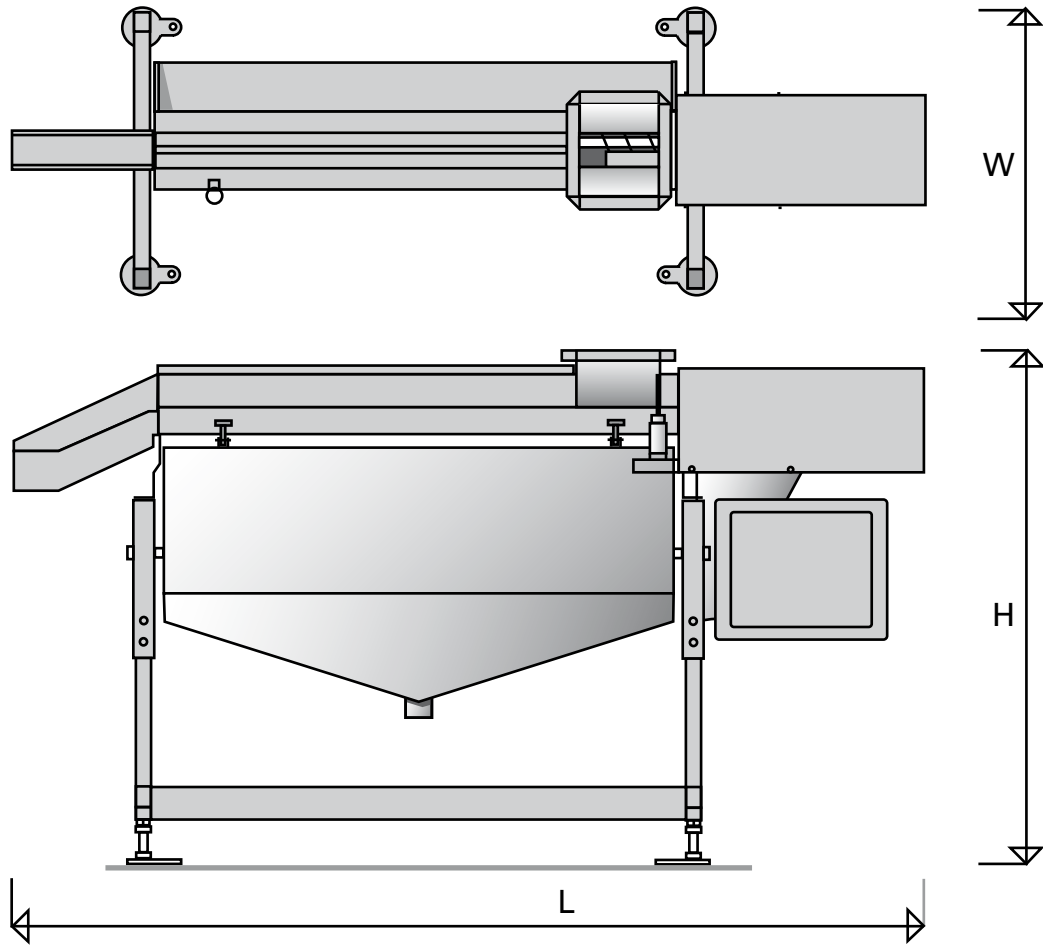


# Meyn gizzard/intestines separator

for turkeys



Technical Data Sheet

Product live weight range	kg	3-30
Capacity	BPH	3,600
Length (L)	mm	2,220
Width (W)	mm	700
Height (H)	mm	1,400
Weight	kg	300
Electric power installed	kW	1x 1.5
Water connection	BSP	3/8"
Water consumption	m <sup>3</sup> /h	0.5

## Head office:

Meyn Food Processing Technology B.V.  
 Westeinde 6, 1511 MA Oostzaan (Amsterdam)  
 P.O. Box 16, 1510 AA Oostzaan  
 The Netherlands

T: +31 (0)20 2045 000  
 F: +31 (0)20 2045 001  
 I: www.meyn.com

**MEYN**

Poultry Processing Solutions

# Meyn gizzard/intestines separator for turkeys

- Can be positioned directly under pan conveyor.
- Gizzards are harvested fully automatically and are optimally prepared for processing.
- Virtually maintenance free.
- Easy to clean.

