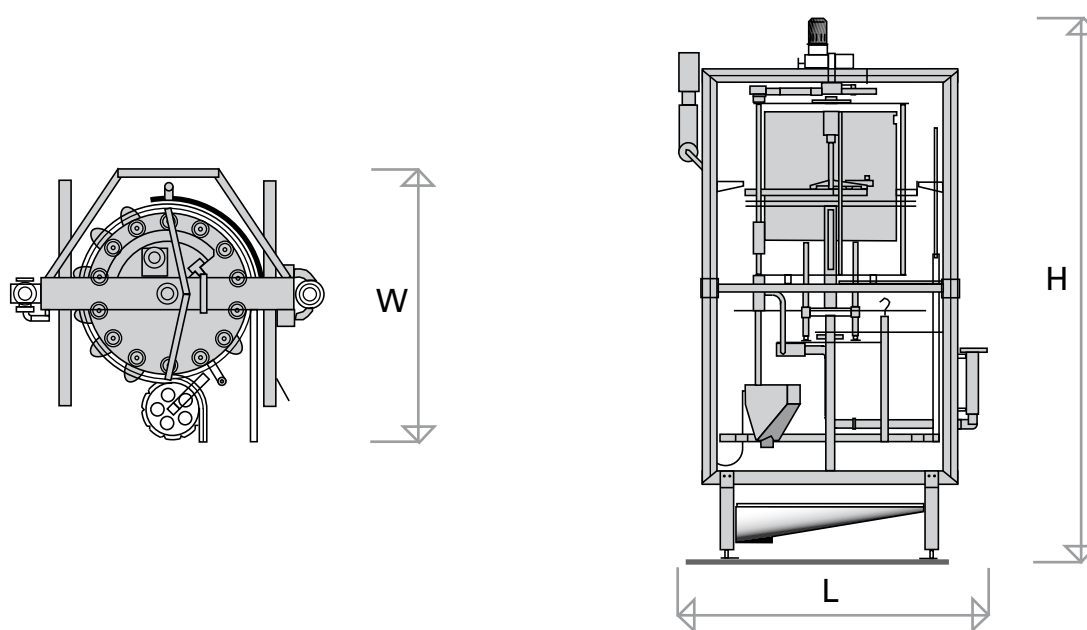


Meyn cropper for turkeys



Product live weight range	kg	5-16	5-16
Capacity	BPH	2,900	3,600
Shackle pitch	inch	15	12
Number of units		11	14
Length (L)	mm	2,200	2,200
Width (W)	mm	2,010	2,010
Height (H)	mm	4,300	4,300
Weight	kg	1,700	1,800
Electric power installed	kW	1x 4.0 + 1x 1.1	1x 4.0 + 1x 1.1
Water connection	BSP	1/2"	1/2"
Water consumption	m ³ /h	2	2
Drain connection	mm	300	300

Head office:

Meyn Food Processing Technology B.V.
 Westeinde 6, 1511 MA Oostzaan (Amsterdam)
 P.O. Box 16, 1510 AA Oostzaan
 The Netherlands

T: +31 (0)20 2045 000
F: +31 (0)20 2045 001
I: www.meyn.com

MEYN

Poultry Processing Solutions

Meyn cropper for turkeys

- Cleans neck and removes crop rests thoroughly.
- Electrically driver drill heads for optimum drilling result.
- Effective cleaning of processing units after every cycle.
- Sturdy construction.

