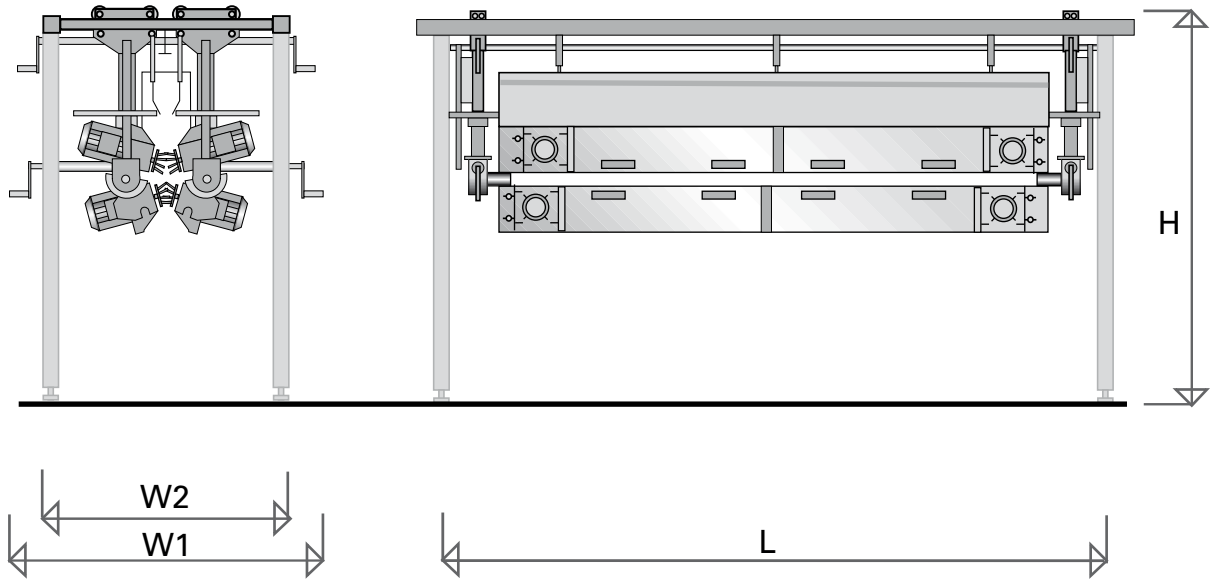


# Meyn plucker JMD2



|                          |            |             |
|--------------------------|------------|-------------|
| Live weight              | kg         | 1.0-5.0     |
| Length (L)               | mm         | 4,610       |
| Width (W1)               | mm         | 2,400       |
| Width (W2)               | mm         | 1,600       |
| Height (H)               | mm         | 1,800-2,000 |
| Weight                   | kg         | 2,650       |
| Electric power installed | kW         | 24.0        |
| Water connection         | BSP        | 1"          |
| Water consumption        | l/bird     | 0.2-0.5     |
| Options:                 | Lower beam |             |

Technical Data Sheet

## Head office:

Meyn Food Processing Technology B.V.  
 Westeinde 6, 1511 MA Oostzaan (Amsterdam)  
 P.O. Box 16, 1510 AA Oostzaan  
 The Netherlands

**T:** +31 (0)20 2045 000  
**F:** +31 (0)20 2045 001  
**I:** www.meyn.com

**MEYN**  
 Poultry Processing Solutions

# Meyn plucker JMD2

- High plucking performance.
- Cabinet can tilt for easy access during cleaning and maintenance.
- Adjustable banks.
- Very sturdy construction.
- Easy to adjust.

