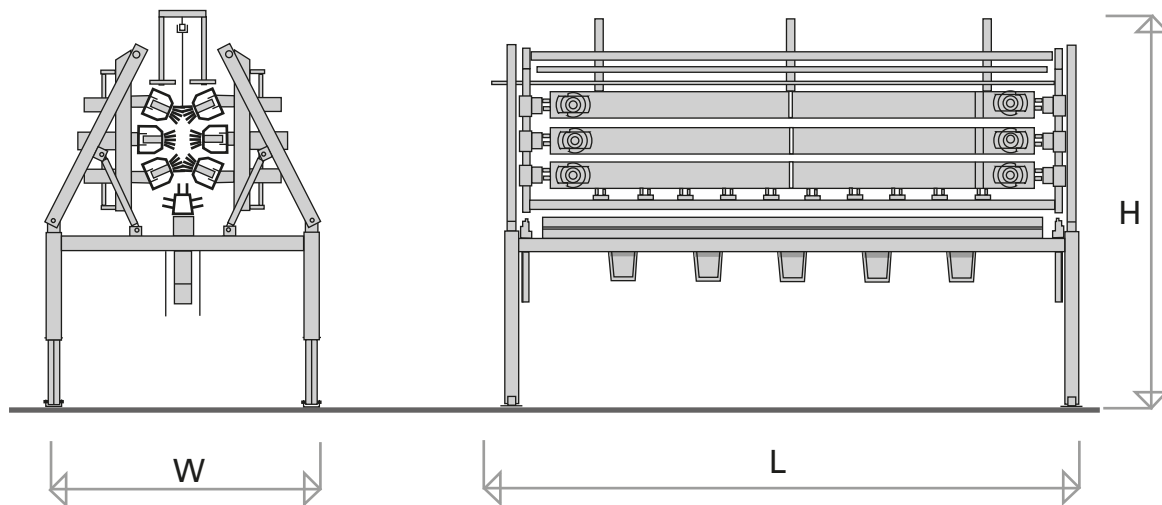


# Meyn TST plucker for turkeys



Product live weight range	kg	3-30
Plucking discs/fingers	n	106/1350
Length (L)	mm	4,360
Width (W)	mm	2,040
Height (H)	mm	1,800-2,200
Weight	kg	2,100
Electric power installed	kW	12x 3.0 + 5x 1.4
Water connection	BSP	2x 3/4"
Water consumption	m <sup>3</sup> /h	1.5
Option:		
Hydraulic pump for ease of adjustment	kW	1x 0.75

## Head office:

Meyn Food Processing Technology B.V.  
 Westeinde 6, 1511 MA Oostzaan (Amsterdam)  
 P.O. Box 16, 1510 AA Oostzaan  
 The Netherlands

T: +31 (0)20 2045 000  
 F: +31 (0)20 2045 001  
 I: www.meyn.com

**MEYN**

Poultry Processing Solutions

# Meyn TST plucker for turkeys

- High plucking performance.
- Banks are adjustable in width, height and angle.
- Stable and sturdy construction.
- Easy to clean.

