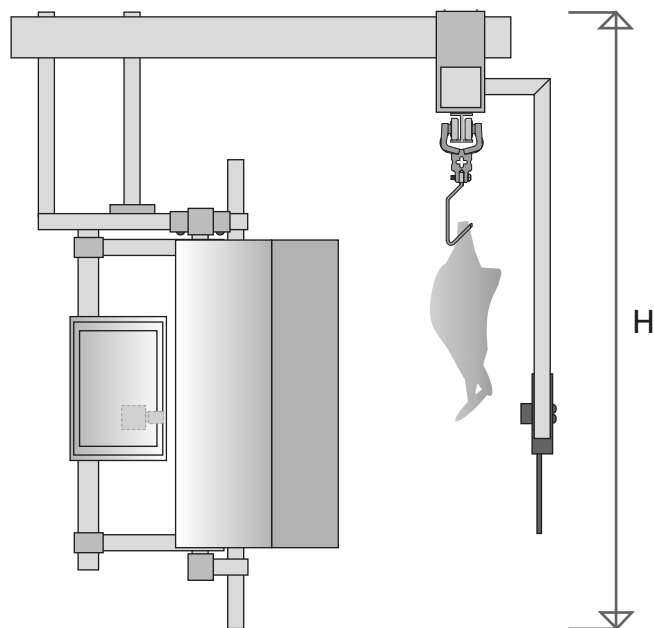
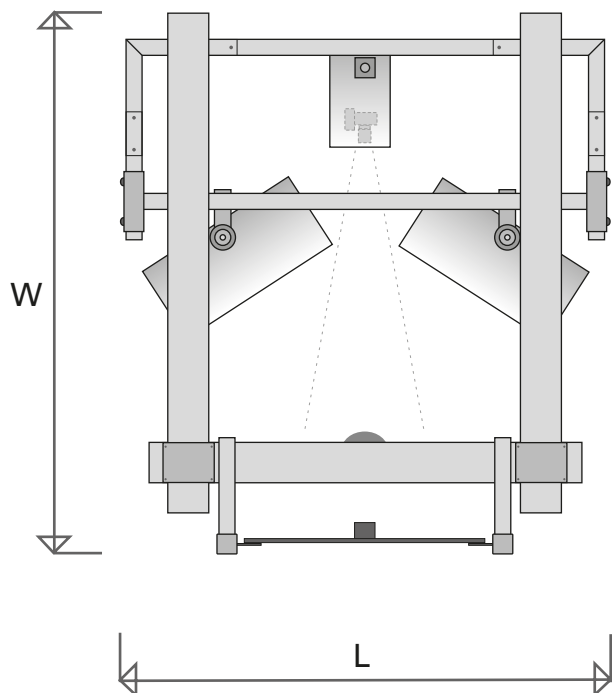


Meyn Quality Grading System



Capacity	BPH	13,000
Shackle pitch	inch	10-12
Lenght (L)	mm	1,355
Width (W)	mm	1,230
Height (H)	mm	1,545
Weight	kg	100
Electric power installed	kW	1x 0.3

Technical Data Sheet

Head office:

Meyn Food Processing Technology B.V.
 Westeinde 6, 1511 MA Oostzaan (Amsterdam)
 P.O. Box 16, 1510 AA Oostzaan
 The Netherlands

T: +31 (0)20 2045 000
 F: +31 (0)20 2045 001
 I: www.meyn.com

MEYN

Poultry Processing Solutions

Meyn Quality Grading System

- High resolution images which allow for more accurate identification of defects and consistent grading results.
- Quality grading based on breast and back possible.
- Absolute and reproducible critical limits, no daily or weekly learning procedures required, virtually maintenance free operation.
- Statistics can be stored and shown real time.

