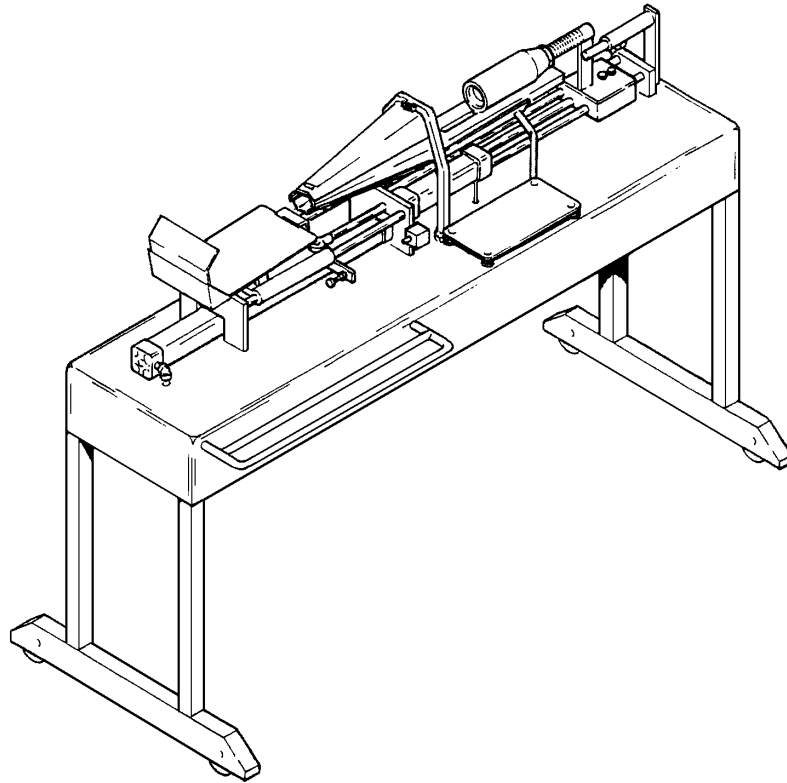
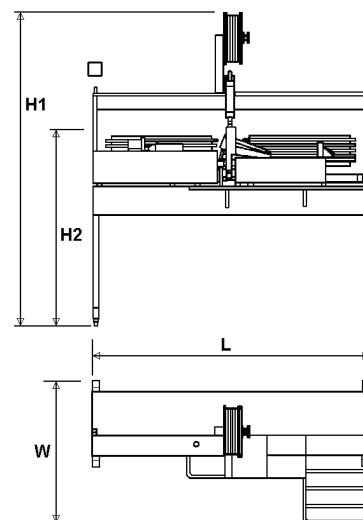


Meyn bird bagging machine HA-82



Technical Data Sheet

maximum capacity	BPH	700
length (L)	mm	1750
width (W)	mm	800
height with clipper (H1)	mm	1680
height without clipper (H2)	mm	1150
air consumption at 600 kPa	nm ³ /hour	15
nett weight	KG	125
options:		
- tape sealing unit		
- wire clipper		



Head office:

Meyn Food Processing Technology B.V.
Noordeinde 68, 1511 AE Oostzaan
P.O. Box 16, 1510 AA Oostzaan
The Netherlands

T: +31(0)75-684 3355
F: +31(0)75-684 9661
I: www.meyn.nl

MEYN

Poultry Processing Solutions

Meyn bird bagging machine HA-82

- The HA-82 is Meyn's whole bird packing machine
- It has a capacity of 700 birds per hour
- Weight range of the machine is: 600 – 1800 gram
- The perfect solution for fast, semi-automatic packing
- The machine is made of hygienic materials
- Sturdy, simple design

