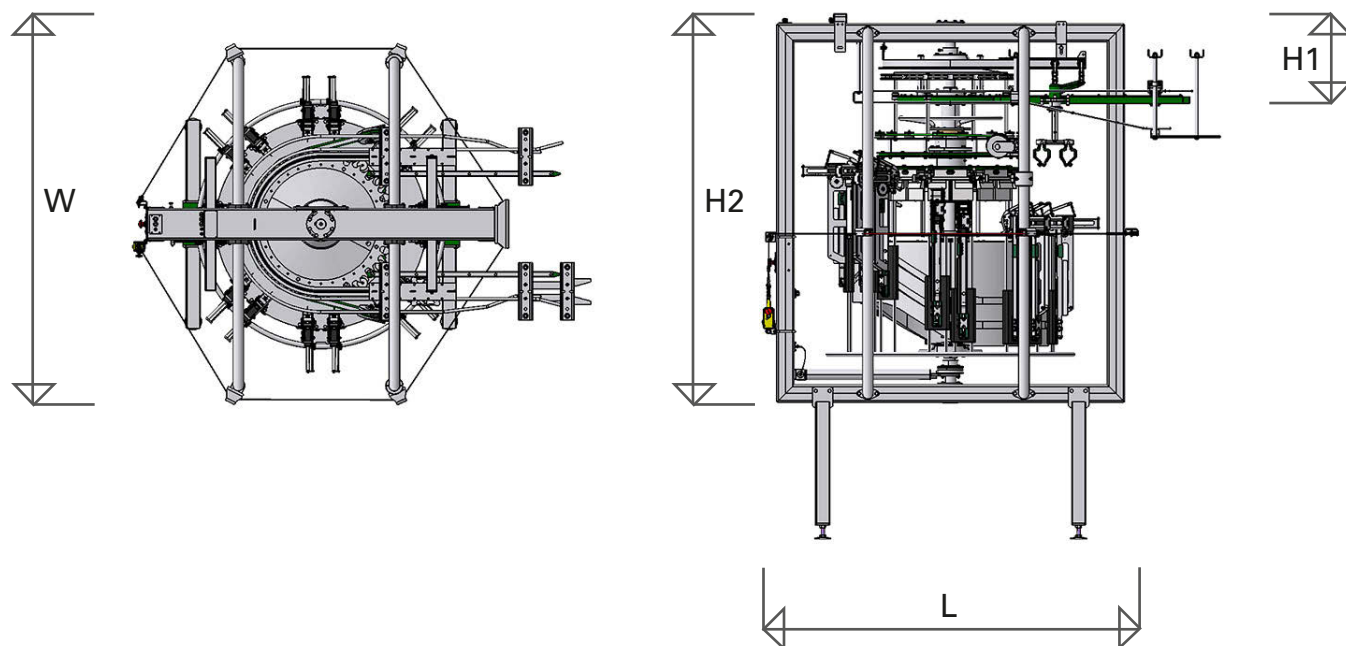


Meyn precutter for whole leg deboner



Capacity	BPH	7,000
Length (L)	mm	2,100
Width (W)	mm	2,100
Height (H1)	mm	320
Height (H2)	mm	2,250
Weight	kg	1,400

Head office:

Meyn Food Processing Technology B.V.
 Westeinde 6, 1511 MA Oostzaan (Amsterdam)
 P.O. Box 16, 1510 AA Oostzaan
 The Netherlands

T: +31 (0)20 2045 000
F: +31 (0)20 2045 001
I: www.meyn.com

MEYN

Poultry Processing Solutions

Meyn precutter for whole leg deboner

- Unrivalled capacity in a compact operation.
- Both left and right legs can be processed with the same system.
- Highly accurate cut, lateral along the bone.
- Stable and durable performance.
- Saving significant amount of labor.

