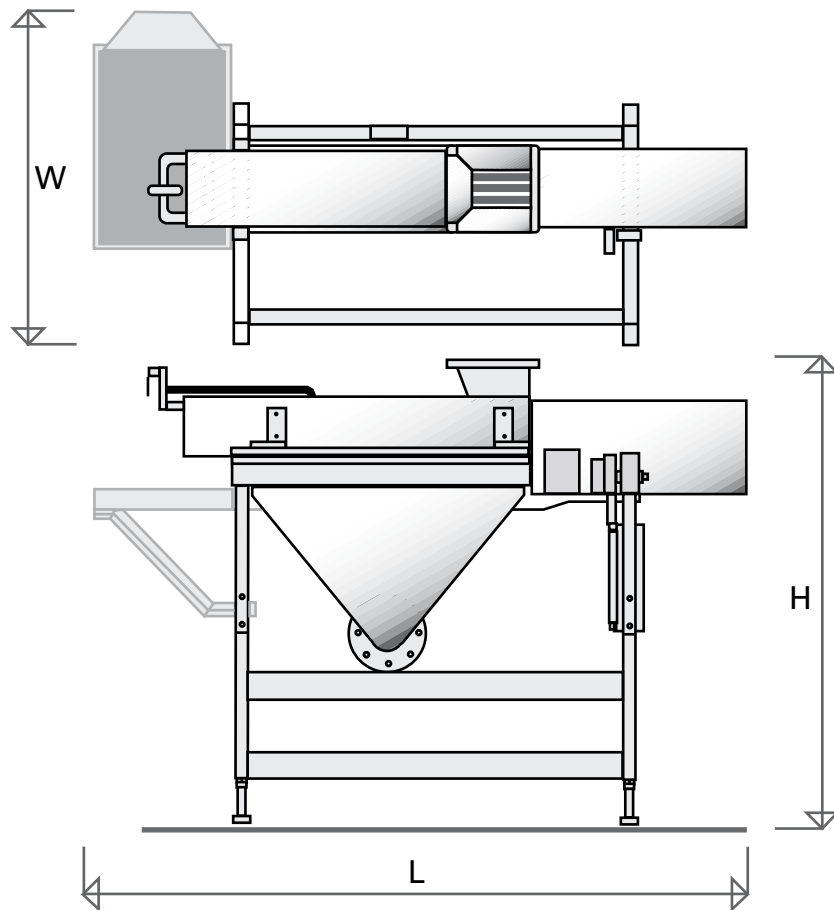


Meyn gizzard peeler for turkeys



Technical Data Sheet

Product live weight range	kg	3-30
Capacity	BPH	3,600
Length (L)	mm	1,950
Width (W)	mm	970
Height (H)	mm	1,275
Weight	kg	200
Electric power installed	kW	1x 1.5
Water connection	BSP	3/8"
Water consumption	m ³ /h	0.7

Head office:

Meyn Food Processing Technology B.V.
 Westeinde 6, 1511 MA Oostzaan (Amsterdam)
 P.O. Box 16, 1510 AA Oostzaan
 The Netherlands

T: +31 (0)20 2045 000
 F: +31 (0)20 2045 001
 I: www.meyn.com

MEYN
 Poultry Processing Solutions

Meyn gizzard peeler for turkeys

- Effectively removes gizzard lining.
- Sturdy design.
- Easy to clean as machine can be opened completely.

