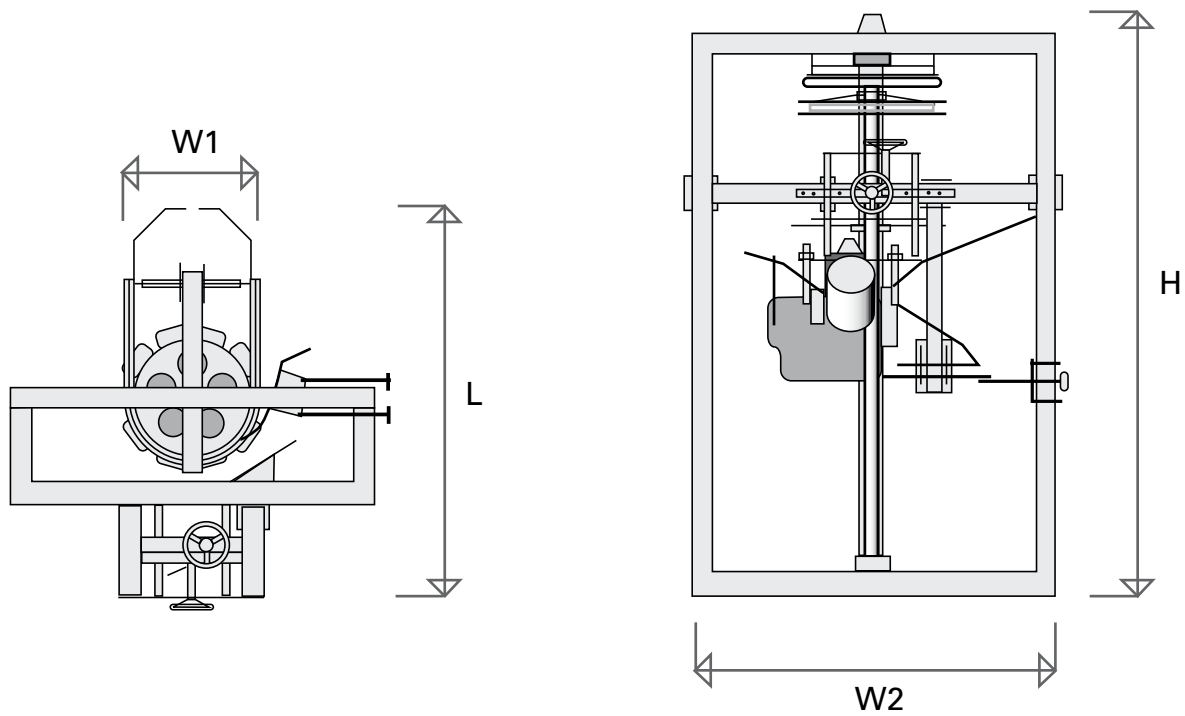


Meyn tail cutter for turkeys



Product live weight range	kg	3-22	3-22
Capacity	BPH	2,900	3,600
Shackle pitch	inch	15	12
Number of units		4	5
Length (L)	mm	1,550	1,550
Width (W1)	mm	485	485
Width (W2)	mm	1,400	1,400
Height (H)	mm	2,150	2,150
Weight	kg	400	400
Electric power installed	kW	1x 1.0	1x 1.0

Head office:

Meyn Food Processing Technology B.V.
 Westeinde 6, 1511 MA Oostzaan (Amsterdam)
 P.O. Box 16, 1510 AA Oostzaan
 The Netherlands

T: +31 (0)20 2045 000
 F: +31 (0)20 2045 001
 I: www.meyn.com

Meyn tail cutter for turkeys

- Highly accurate cut without cutting excess skin or back meat.
- Low maintenance.
- Easy to adjust.

