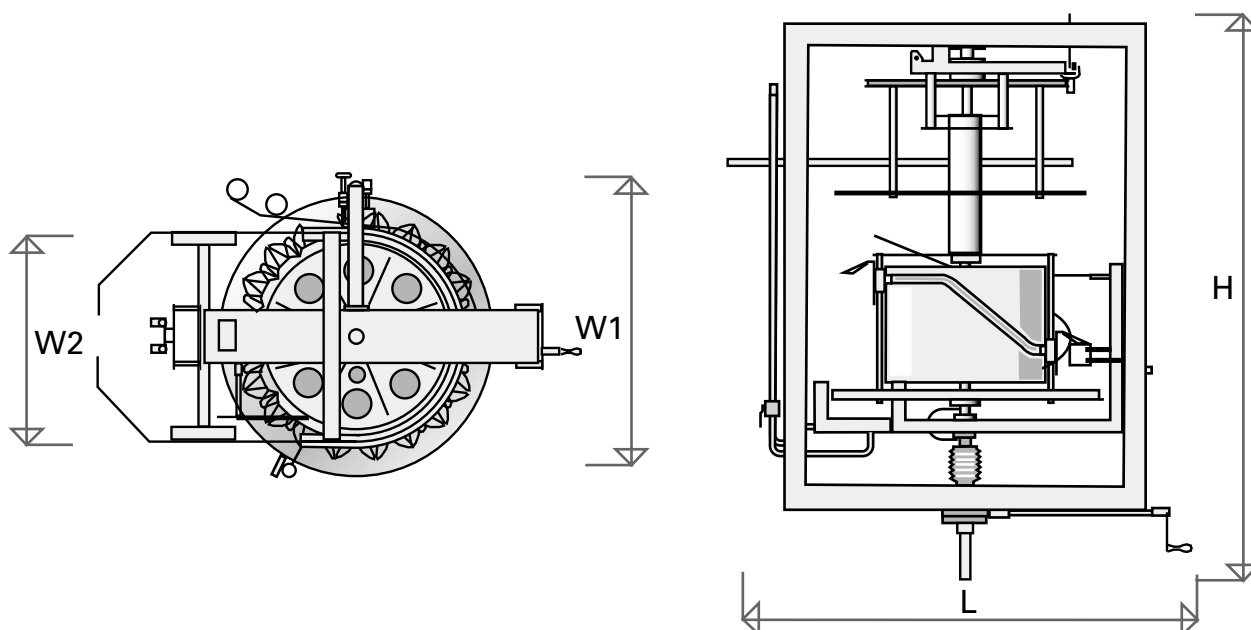


# Meyn head and trachea puller



Capacity	BPH	4,000	4,750	8,000	9,000	12,000
Live weight	kg	1.0-3.8	1.0-3.8	1.0-3.8	1.0-5.0	1.0-3.8
Number of units		7	10	14	15	20
Shackle pitch	inch	12"	12"	6"	8"	6"
Length (L)	mm	1,800	2,300	1,800	2,300	2,300
Width (W1)	mm	1,200	1,480	1,200	1,480	1,480
Width (W2)	mm	680	970	680	970	970
Height (H)	mm	2,425	2,450	2,425	2,450	2,450
Weight	kg	750	850	840	900	950
Water connection	BSP	3/4"	3/4"	3/4"	3/4"	3/4"
Water connection high pressure	BSP	1/2"	1/2"	1/2"	1/2"	1/2"
Water consumption	m <sup>3</sup> /h	0.5	0.5	0.5	0.5	0.5

Technical Data Sheet

## Head office:

Meyn Food Processing Technology B.V.  
 Westeinde 6, 1511 MA Oostzaan (Amsterdam)  
 P.O. Box 16, 1510 AA Oostzaan  
 The Netherlands

T: +31 (0)20 2045 000  
 F: +31 (0)20 2045 001  
 I: www.meyn.com

**MEYN**

Poultry Processing Solutions

# Meyn head and trachea puller

- Wide weight range can be processed within one machine setting.
- Head removed including trachea and oesophagus.
- Exact positioning of the bird in machine results in high performance.
- Springloaded units result in a reliable operation despite leeway.
- Sturdy construction, low maintenance cost.

