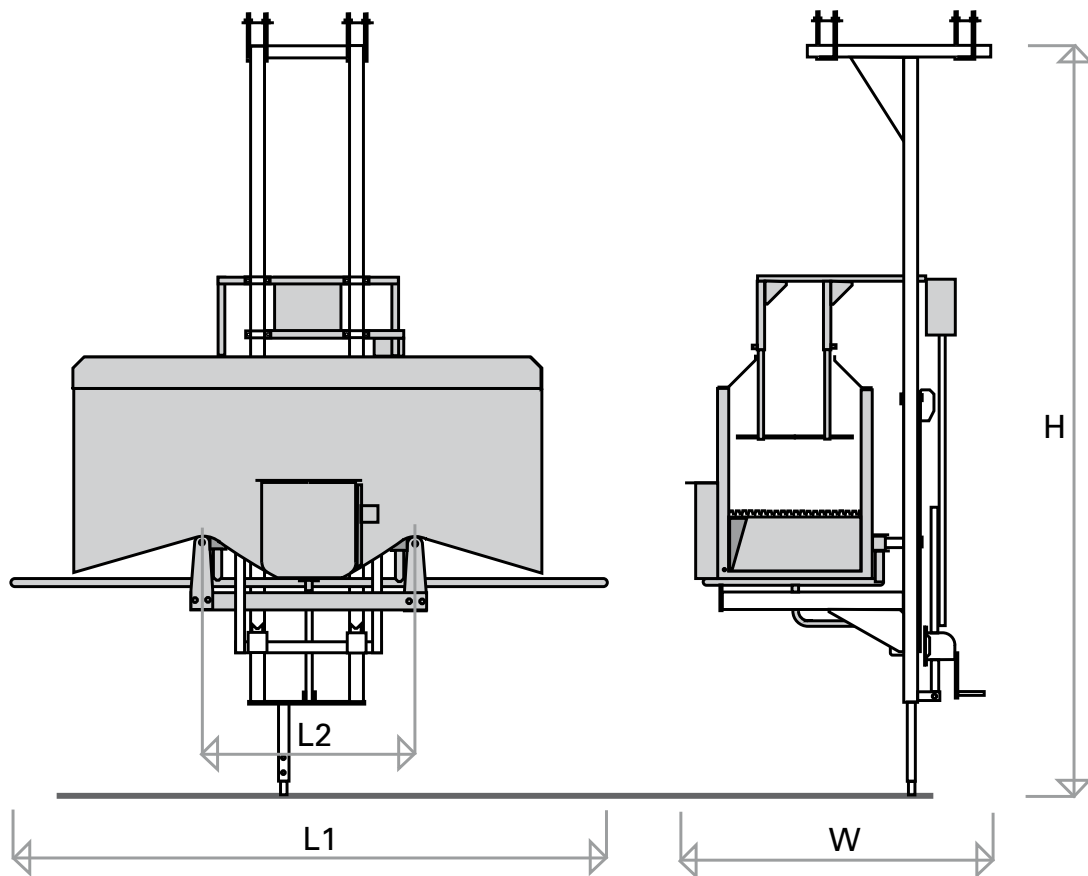


# Meyn waterbath stunner



Technical Data Sheet

Capacity at 6" shackle pitch *	BPH	5,500	7,800	11,500
Capacity at 8" shackle pitch *	BPH	3,750	5,850	9,000
Live weight	kg	1-5	1-5	1-5
Length (L1)	mm	2,795	3,295	3,795
Effective stunning length (L2)	mm	850	1,325	2,000
Width (W)	mm	1,250	1,250	1,250
Height (H)	mm	2,850	2,850	2,850
Weight	kg	300	350	400
Electric power installed	kW	0.4	0.4	0.4
Water connection	BSP	1/2"	1/2"	1/2"
Water consumption (heads immersed)	l/bird	0.05	0.05	0.05
Water consumption (breasts immersed)	l/bird	0.11	0.11	0.11
Option: Floor standing frame				

\* with a stunning time of at least 4 seconds per bird

## Head office:

Meyn Food Processing Technology B.V.  
 Westeinde 6, 1511 MA Oostzaan (Amsterdam)  
 P.O. Box 16, 1510 AA Oostzaan  
 The Netherlands

T: +31 (0)20 2045 000  
 F: +31 (0)20 2045 001  
 I: www.meyn.com

**MEYN**

Poultry Processing Solutions

# Meyn waterbath stunner

- Wide weight range can be processed within one machine setting.
- Easy adjustment.
- Sturdy construction.

