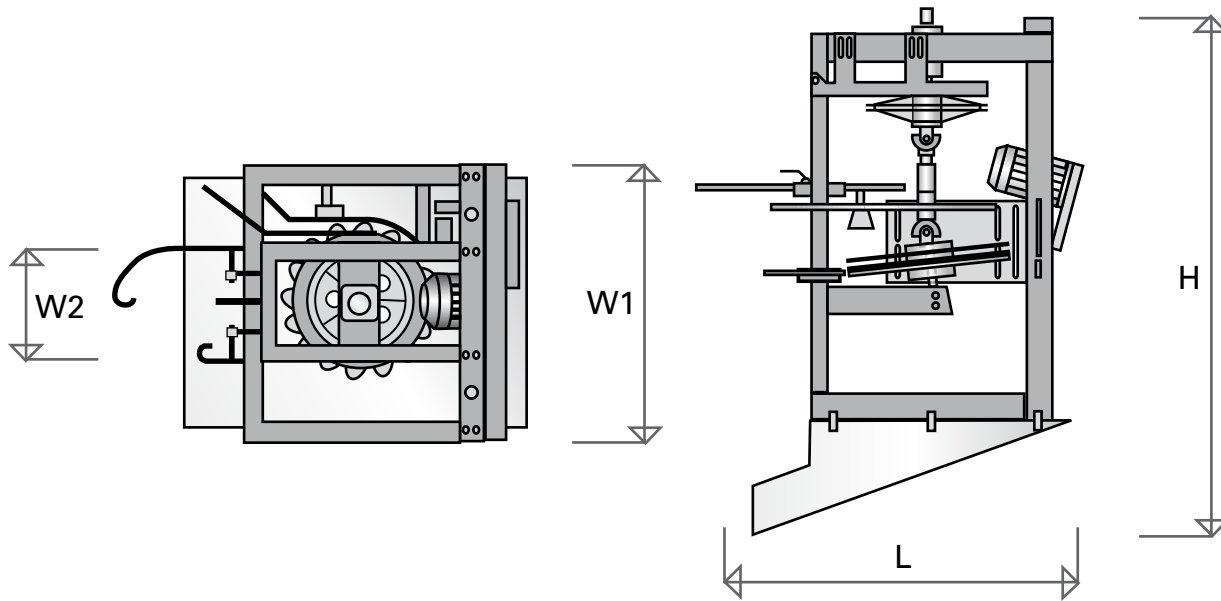


Meyn hock cutter



Capacity	BPH	9,000	12,000
Live weight	kg	1.0-5.0	1.0-3.5
Number of units		8	10
Shackle pitch	inch	8"	6"
Length (L)	mm	1,660	1,660
Width (W1)	mm	1,120	1,120
Width (W2)	mm	520	490
Height (H)	mm	2,385	2,385
Weight	kg	350	350
Electric power installed	kW	1.1	1.1
Water connection	BSP	1/2"	1/2"
Water consumption	m ³ /h	0.5	0.5
Option:	90° corner		

Remark: a version of the machine also suitable to cut feet from whole bird

Head office:

Meyn Food Processing Technology B.V.
 Westeinde 6, 1511 MA Oostzaan (Amsterdam)
 P.O. Box 16, 1510 AA Oostzaan
 The Netherlands

T: +31 (0)20 2045 000
 F: +31 (0)20 2045 001
 I: www.meyn.com

Meyn hock cutter

- Length of hocks is adjustable.
- All kinds of birds can be processed.
- Very wide weight range can be processed within one setting.
- Combination of hock or feet cutting is possible.
- Stand alone version or integrated in a rehanger.

