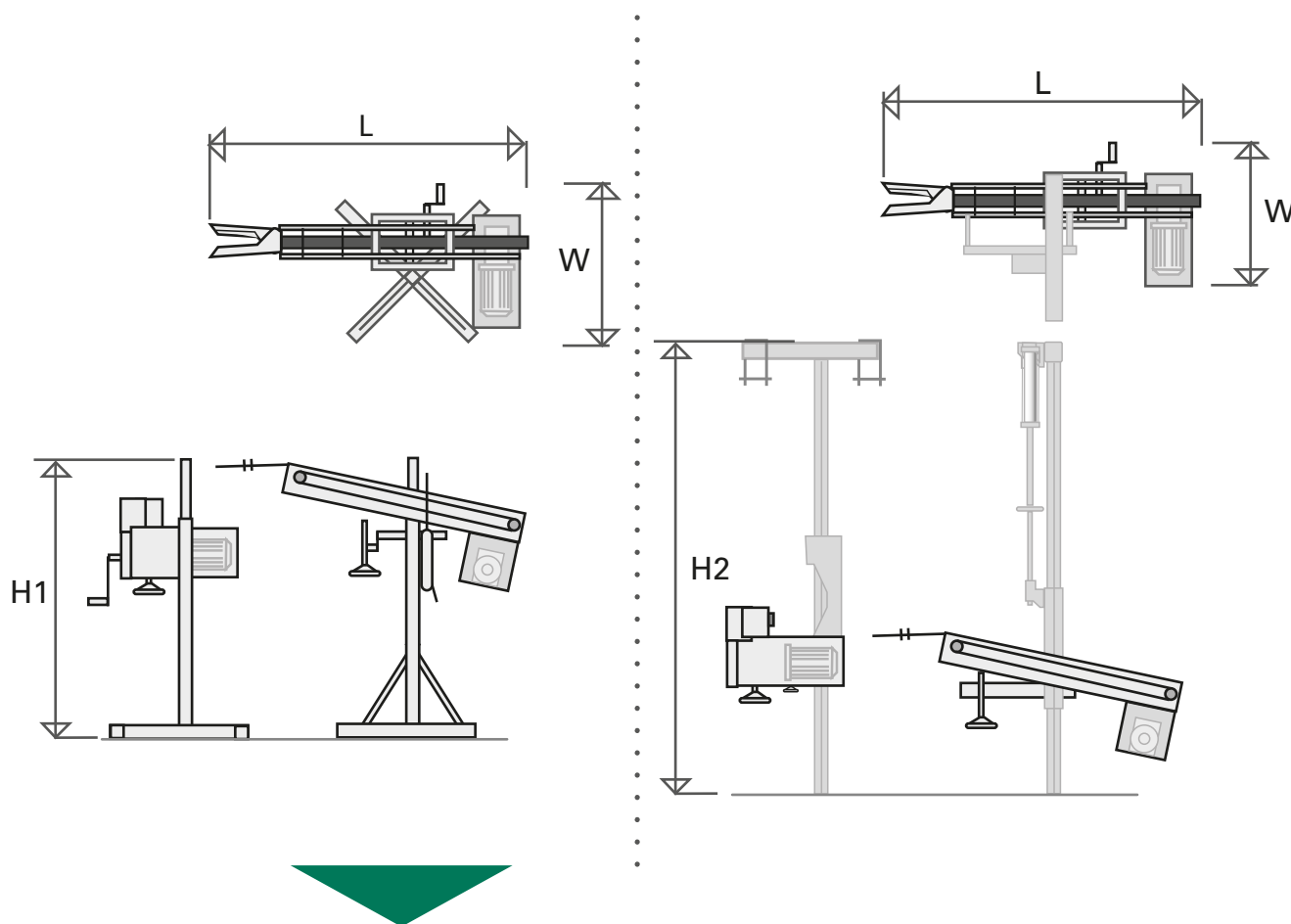


# Meyn head and trachea puller linear



Model	Jumbo		Saturnus		
	BPH	Capacity	BPH	Capacity	
Capacity	BPH	6,000-13,000	5,600-9,700	1,000-7,500	750-5,600
Live weight	kg	1.0-3.8	1.0-5.0	1.0-3.8	1.0-5.0
Pitch	inch	6"	8"	6"	8"
Length (L)	mm	1,925	1,925	1,925	1,925
Width (W)	mm	1,010	1,010	1,010	1,010
Height (H1)*	mm	1,740	1,740	1,740	1,740
Height (H2)**	mm	1,775-2,275	1,775-2,275	1,775-2,275	1,775-2,275
Weight	kg	120	120	120	120
Electric power installed	kW	1.1	1.1	0.37-0.75***	0.37-0.75***

\* frame floor standing

\*\* frame mounted onto steel construction

\*\*\* depending line speed

## Head office:

Meyn Food Processing Technology B.V.  
 Westeinde 6, 1511 MA Oostzaan (Amsterdam)  
 P.O. Box 16, 1510 AA Oostzaan  
 The Netherlands

T: +31 (0)20 2045 000  
 F: +31 (0)20 2045 001  
 I: www.meyn.com

**MEYN**

Poultry Processing Solutions

Technical Data Sheet

# Meyn head and trachea puller linear

- Head removed including trachea and oesophagus.
- Easy to adjust.
- Low maintenance level.

