



MEYN CRUSHER

LIVE BIRD HANDLING | SLAUGHTERING | EVISCERATION | CHILLING | CUT UP | DEBONING | WGL | **BY PRODUCT HANDLING**



The Meyn crusher is developed to break large blocks into small pieces that will fit a vacuum or blow transport system. It will handle pieces up to five kg. Typical input products are whole chickens, such as DOA birds at point of hanging, factory rejects at post mortem inspection, chicken breast frames after the cone line or filleting machine, hocks and various chicken and turkey parts.

Product highlights



Processes all parts as well as complete chicken carcasses

All stainless steel, stable and sturdy design

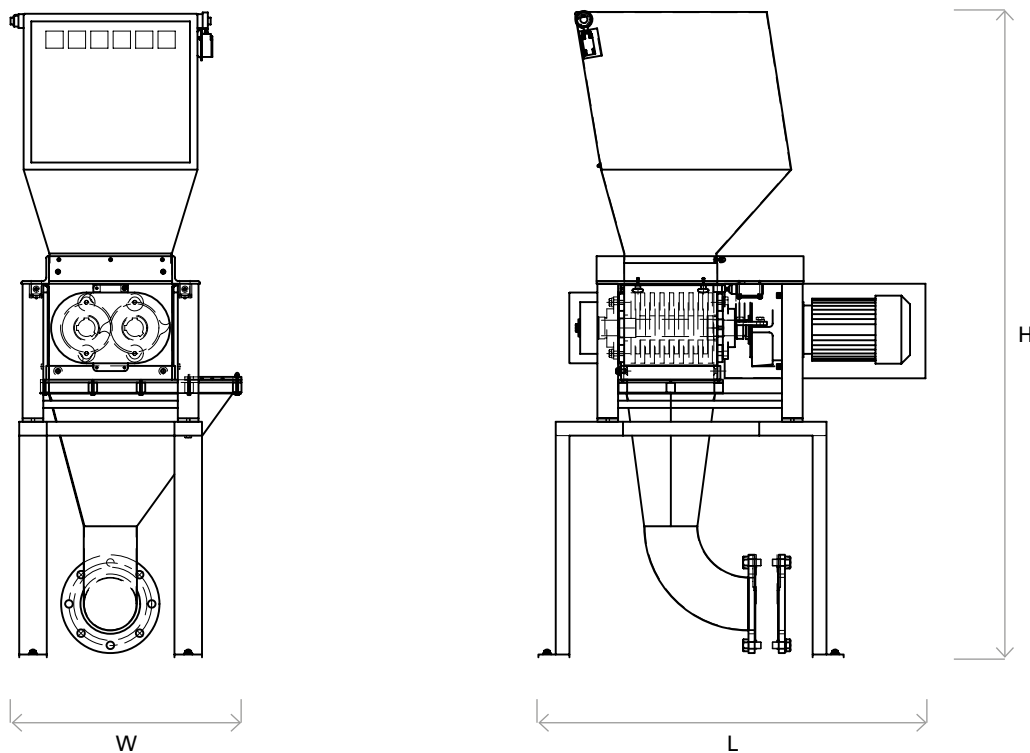
Compliant with applicable safety standards

Easily integrated in various transport systems





Meyn crusher



Capacity	kg/h*	1,500
Input product weight	kg	0-5
Length (L)	mm	1,130
Width (W)	mm	650
Height (H)	mm	1,870
Weight	kg	250
Electric power installed	kW	3.0
Drain connection	mm	DN100 / DN150

HEAD OFFICE

Meyn Food Processing Technology B.V.
 Westeinde 6, 1511 MA Oostzaan (Amsterdam)
 P.O. Box 16, 1510 AA Oostzaan
 The Netherlands

Phone: +31 (0)20 2045 000
 Fax: +31 (0)20 2045 001
 E-mail: sales@meyn.com
 www.meyn.com



Poultry Processing Solutions